

Drawing No.	Rev.	Page
CLA3S-24A-Y-W18	B	1 / 2

<h1>SPECIFICATIONS</h1>

[General Specifications]

Product Name	LED Light Bar	
Model	CLA3S-24A-Y	
Rated Voltage	24V DC (Polarized)	
Operating Voltage Range	24V DC $\pm 10\%$	
Rated Current Consumption	240 mA $\pm 10\%$	
Rated Power Consumption	5.7 W	
Operating Ambient Temperature	-40°C to +60°C	
Operating Ambient Humidity	Less than 90% (No condensation)	
Mounting Location	Indoors	
Mounting Direction	All Directions	
Protection Rating	IP66/67 (IEC 60529) /69K (DIN 40050 part9) (Except Cable Terminal)	
Vibration Resistance	19.6 m/s ² (30Hz, Back and Forth:2h, Right to Left:2h, Up and Down:2h)	
Insulation Resistance	More than 5M Ω at 500VDC between the terminals and the chassis	
Withstanding Voltage	500VAC applied for 1min between terminals and chassis without breaking insulation	
Luminous Color	Amber	
Wavelength	590 nm	
Illuminance (at 24VDC)	0.5m	220 lx
	1.0m	60 lx
Luminous Flux	195 lm	
Mass(Tolerance $\pm 10\%$)	180 g	
Outer Dimensions	Refer to the Outer Dimension Drawing	
Conformity Standards	UL 2108, CSA-C22.2 No. 250.0 EMC Directive (EN 55011, EN 61000-6-2) RoHS Directive (EN IEC 63000)	
Remarks	<ul style="list-style-type: none"> · Conforms to the CE requirements · UL Listed (File No.E306141) · Specifications may change without notice due to continual product improvement. · Due to the inherent properties of the LED, color variations and hue may occur. · This product's illuminance may be affected when used in airtight conditions. 	

1

2

3

4

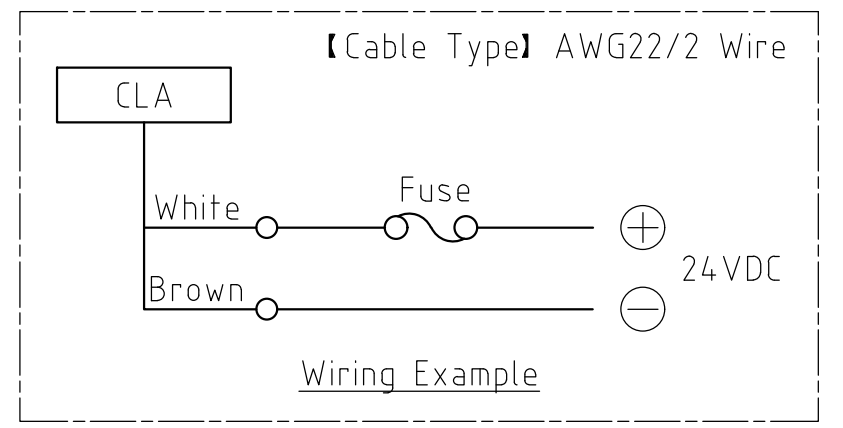
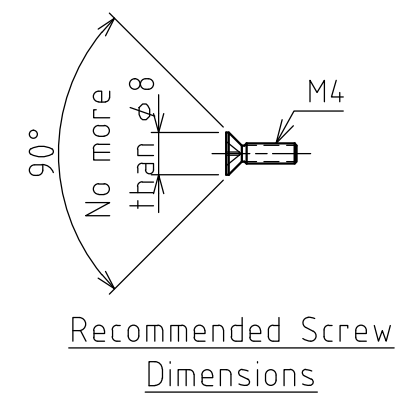
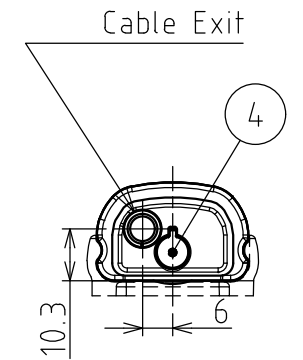
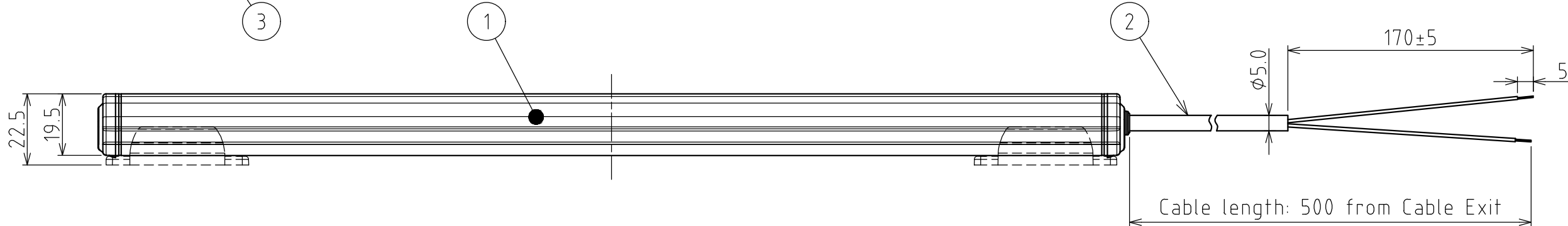
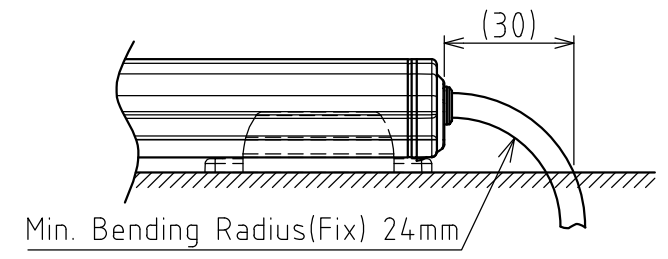
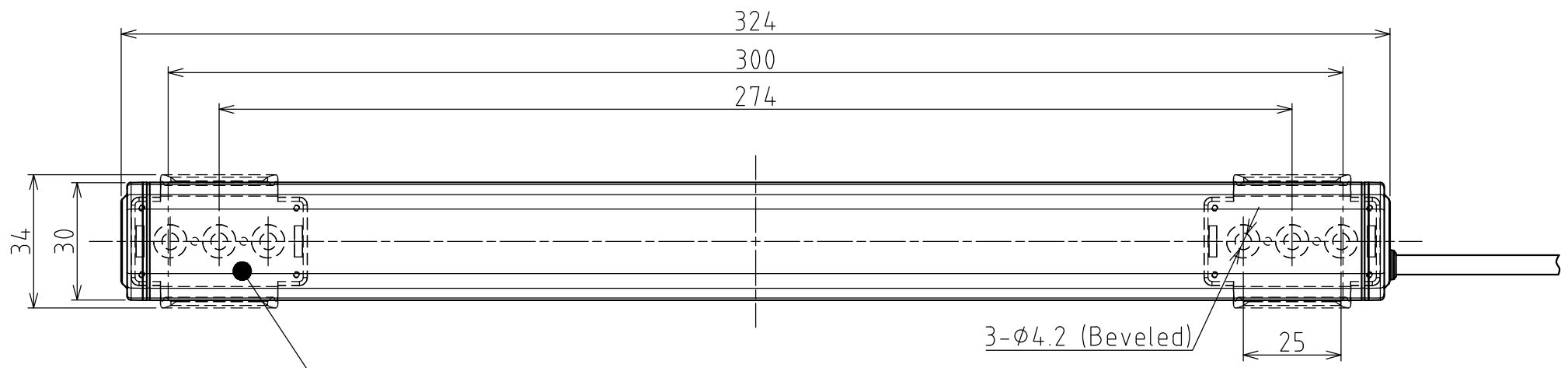
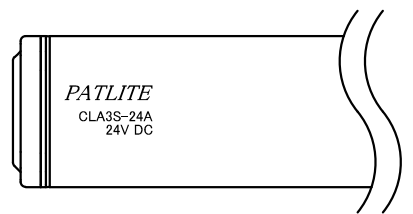
5

6

7

8

指定 公差 General Tolerance	角度公差 ±[°]		寸法公差 ±[mm]					図番 Drawing No.		ページ Page	
	短辺 長さ Length of short side	~ ~ 100	6	30	120	300	1000	CLA3S-24A-Y-W18		2 / 2	
	精 f	1 0.5 0.3 0.1	精 f	0.05 0.1 0.2 0.4 0.6	改訂 Rev.		年月日 Date		改訂履歴 Revisions		
中 m	1 0.5 0.3 0.1	中 m	0.1 0.3 0.5 0.7 1	△							
粗 v	3 1.5 1 0.5	粗 c	0.3 0.5 1 1.2 2								



- Remarks
- The screw caps are removable. Please remove them in advance when using high-pressure water applications. (Example: Contamination in a food-processing line)
 - Install the bracket on a sturdy surface with M4 flush-mount screws, and tighten down with a torque of no more than 1N · m. (2 screws recommended.)
 - The following optional brackets can be used.
Model SZ-310AS, SZ-310ASB, SZ-310ARM

4	Screw Cap	2	Silicon
3	Bracket	2	Polycarbonate Resin
2	Power Cable	1	AWG22/2 Wires
1	Cover	1	Polycarbonate Resin
番号 No.	部品名 Part Name	数量 Qty.	記事 Remarks

機種 Model	CLA3S-24A-Y	特注No. S.P.No.	-	図名 Name	Outer Dimensions Drawing	
品目コード Part No.	-	尺度 Scale	-	三角法 3rd Angle P.	単位 Unit	株式会社 PATLITE Corporation

1

2

3

4

5

6

7

8