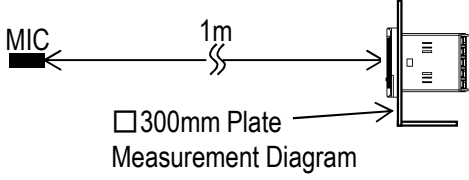
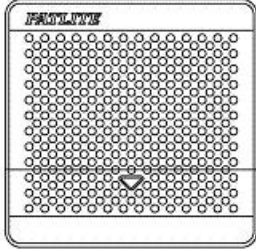
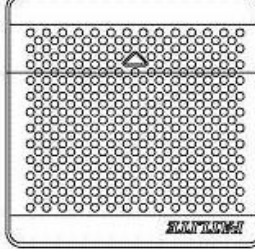
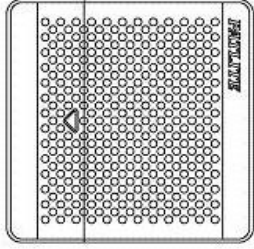


# SPECIFICATIONS

Model	BDV-15JF	BDV-15KF
Rated Voltage	12-24V DC	100V / 220V AC 50/60Hz
Operating Voltage Range	10.8-26.4V DC	100V AC $\pm 10\%$ / 220V AC $\pm 10\%$
Power Consumption	Max. 4W	Max. 5W
Sound Pressure Level	87dB or more Measured Sound: -6dB 1kHz Sine Wave <div style="text-align: right; margin-top: 10px;">  <p style="margin: 0;">□ 300mm Plate Measurement Diagram</p> </div> <p>* Sound pressure level may be lower, depending on the message and surrounding environment.</p>	
Volume Control	Adjustable range: Min~Max	
Voice File	Sound Reduction Input: -10dB (Sound Reduction Mode Only)	
Maximum Playing Time	MPEG1-Audio Layer III (MP3) Standard Bit Rate: 64kbit/s, Fs=44.1kHz	
Internal Memory Size	63sec. (Playback at Standard Bit Rate)	
Voice Rewrite Interface	504kByte (MP3 data total)	
File Format	SD Card	
Method of Signal Input	Recommended SD Card: SDV-128P (Sold Separately)	
CH Input	FAT16	
Playback Messages	Pulse Input Width 100ms or more	
Warm-up Time	Bit Input: Play Mode A,C,E,G	
CH Priority	Binary Input: Play Mode B,D,F,H	
Operating Temperature Range	Bit Input: 4 / Binary Input: 15	
Relative Humidity	Signal Line Startup: 300ms or less; Power Supply Startup: 500ms or less	
Mounting Direction	CH4 > CH3 > CH2 > CH1 (Bit Input Mode Only)	
	-10 ~ +50°C	
	85%RH or less (No dew or condensation)	
	<div style="display: flex; justify-content: space-around; align-items: center;"> <div style="text-align: center;">  <p>Upright Indoor: Y / Outdoor: Y</p> </div> <div style="text-align: center;">  <p>Inverted Indoor: Y / Outdoor: N</p> </div> <div style="text-align: center;">  <p>Sideways Indoor: Y / Outdoor: N</p> </div> </div> <p style="text-align: center;">Mounting Angle is vertical only. (Only upright when water splashes)</p>	
Protection Rating	IP54 (Upright direction only)	
Insulation Resistance	1MΩ or more (at 500V DC) between current-carrying and non-current-carrying part .	
Withstand Voltage	500V AC (1 minute)	1500V AC (1 minute)
Vibration Resistance	(Between current-carrying and non-current-carrying part)	
Mass	Upright direction mounting : 19.6m/s <sup>2</sup>	
	30Hz Right to Left: 2h, Front to Back: 2h, Up and Down: 2h	
	220g $\pm 10\%$	340g $\pm 10\%$

BDV-15-W18C-1\_3

**PATLITE Corporation**

# SPECIFICATIONS

## Play Mode (Operation Mode Switch Setting)

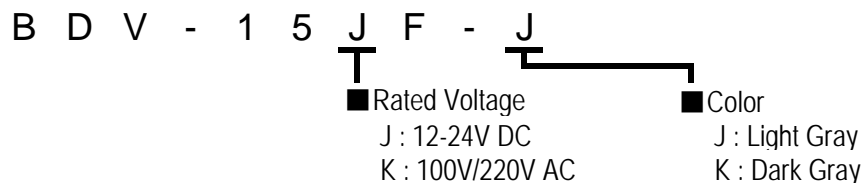
Factory Default : Group A (When message registration is up to 4) / Group B (When message registration is 5 or more)

A	CH input : CH1 - CH4 Playback Messages: 4
Bit Input Mode	
B	CH input : CH1 - CH4 Playback Messages: 15
Binary Input Mode	
C	CH input : CH1 - CH3 Playback Messages: 3 CH4 : Input reduces the volume by 10dB.
Bit Input - Sound Reduction Mode	
D	CH input : CH1 - CH3 Playback Messages: 7 CH4 : Input reduces the volume by 10dB.
Binary Input -Sound Reduction Mode	
E	CH Input: CH1 to CH4 Playback Messages: 4 When one of the signal wires between CH1 to CH4 are entered for a bit input and an input message is entered during message playback, the message will interrupt the message being played. Even if the input is held down, the message playback will be reproduced only once, and there is no priority input order.
Bit Input - Priority Input Mode	
F	CH Input: CH1 to CH4 Playback Messages: 15 When one of the signal wires between CH1 to CH4 are entered for a binary input and an input message is entered during message playback, the message will interrupt the message being played. Even if the input is held down, the message playback will be reproduced only once, and there is no priority input order.
Binary Input - Priority Input Mode	
G	CH Input: CH1 to CH4 Playback Messages: 4 When the signal wires from CH1 to CH4 for a bit input are held when short-circuited to the common wire, the message will repeat until the signal wire is removed from common. Once the input is lost, the playback will stop.
Bit Input - Hold Playback Mode	
H	CH Input: CH1 to CH4 Playback Messages: 15 When the signal wires from CH1 to CH4 for a binary input are held when short-circuited to the common wire, the message will repeat until the signal wire is removed from common. Once the input is lost, the playback will stop.
Binary Input - Hold Playback Mode	
I - P	The Message No.1 plays.
Test mode	
Conformity Standards (BDV-15JF)	RoHS Directive (EN 50581) EMC Directive (EN 55011, EN 61000-6-2)

### Notes

- Conforms to the CE requirements. (BDV-15JF)
- There are no contents of controlled substances exceeding the threshold for the RoHS Directive. (BDV-15KF)

### Model Number Configuration

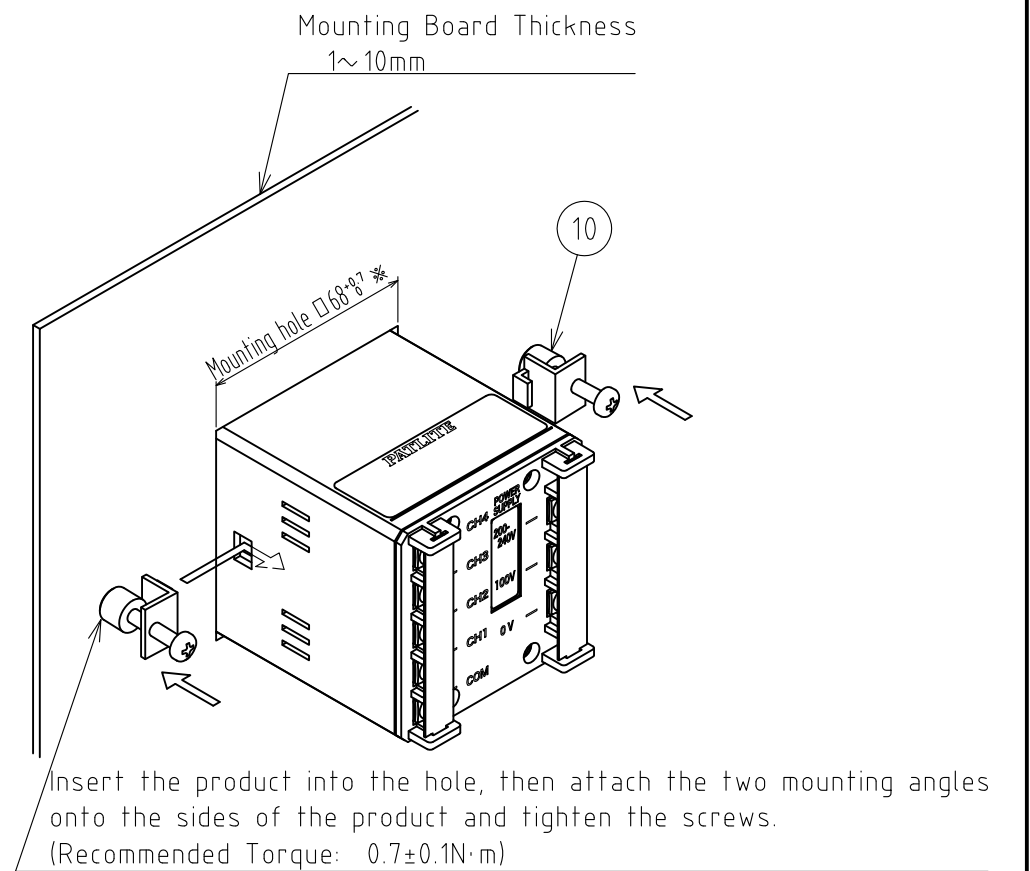
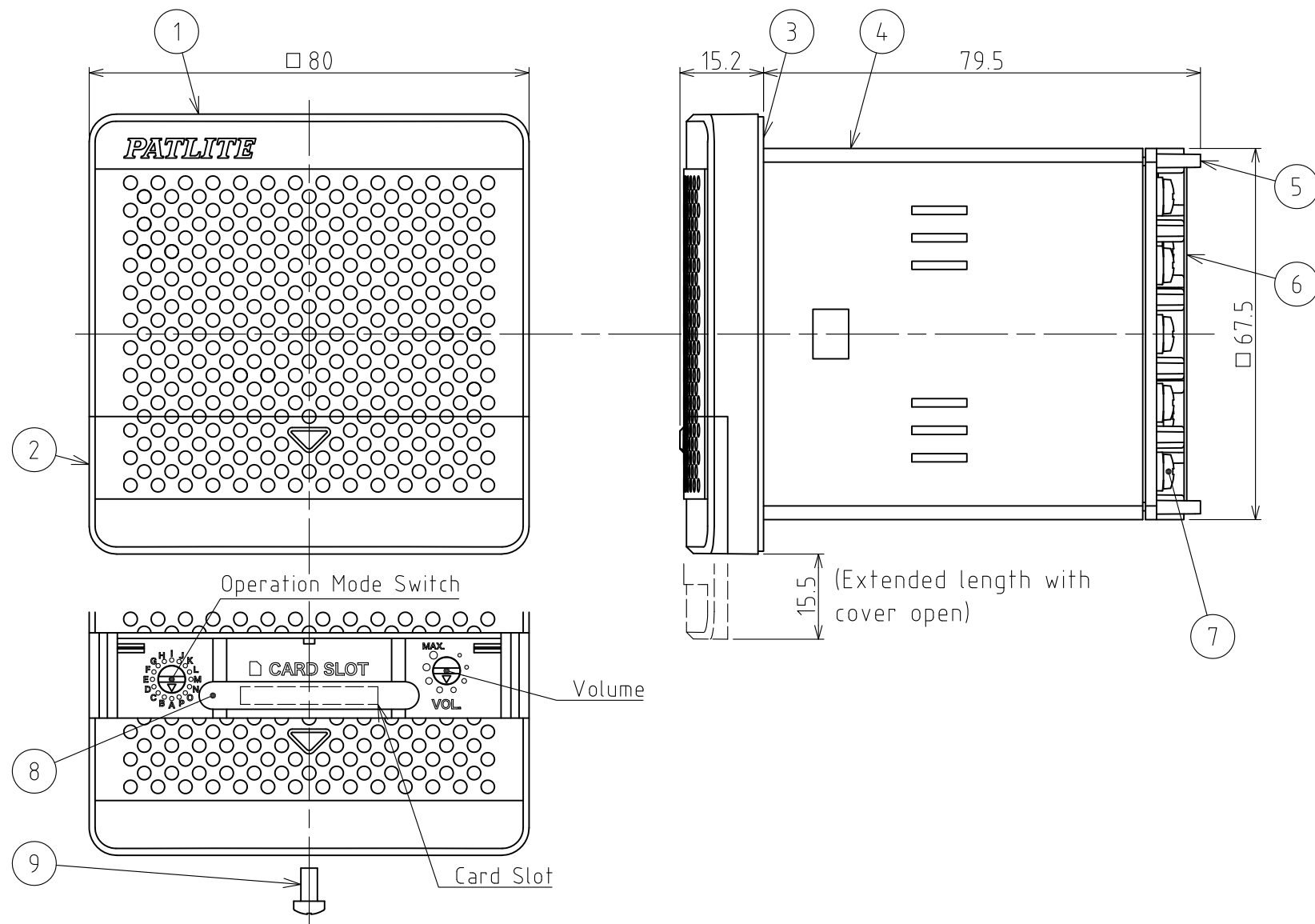


### Caution on Copyright

Work that was recorded or copied from music CDs or other media used in public places may infringe upon copyrights and law enforcement may be imposed. When using a work that was recorded or copied from music CDs or other media, be sure to obtain permission from the author. In addition, copyright of audio/music data distributed or sold by PATLITE Corporation belongs to PATLITE. It is strictly prohibited to copy/reprint whole or partial contents of audio/music data belonging to PATLITE Corporation, or to transfer/sell such material on computer networks etc., without permission of the rightful holder.

BDV-15-W18C-2\_3

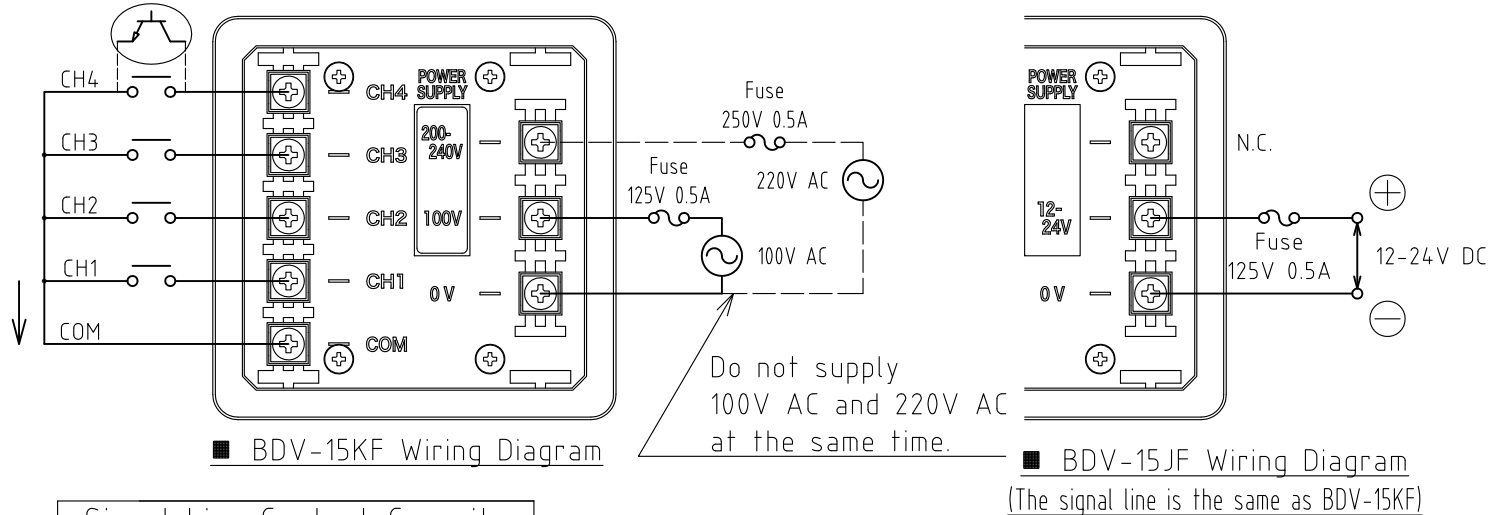
**PATLITE Corporation**



\* Mounting hole dimension complies with IEC-61554(DIN-43700).

### How to Install

Wiring when NPN transistor is used



Signal Line Contact Capacity	
Current Capacity	10mA or more
Withstand Voltage	20VDC or more
Leakage Current	0.1mA or less
ON Voltage(Vsat)	1V or less

\* Do not apply voltage to the Signal Line.  
Failure to do so may damage the product.

10	Mounting Angle	-	2	Accessory	
9	+Pan Head Screw	-	1	M3X6 For Front Cover Mounting	
8	Slot Waterproof Rubber	-	1	EPDM	
7	+Pan Head Screw With Square Washer	-	8	M3X6 For Wiring	
6	Terminal Cover	-	2	PC t=0.38	
5	Rear Cover	-	1	ABS Dark Gray	
4	Case	-	1	ABS Dark Gray	
3	Waterproof Sheet	-	1	CR t=1.0	
2	Front Cover	-	1	ABS Light Gray/Dark Gray	
1	Front Panel	-	1	ABS Light Gray/Dark Gray	
番号 No.	部品名 Part Name	品目コード Part No.	数量 Qty.	材料 & 寸法 & 処理 Material & Size & Finish	記事 Remarks

外観図面  
Outer Dimension Drawing

株式会社 パトライト  
PATLITE Corporation

BDV-15-W18C-3\_3