

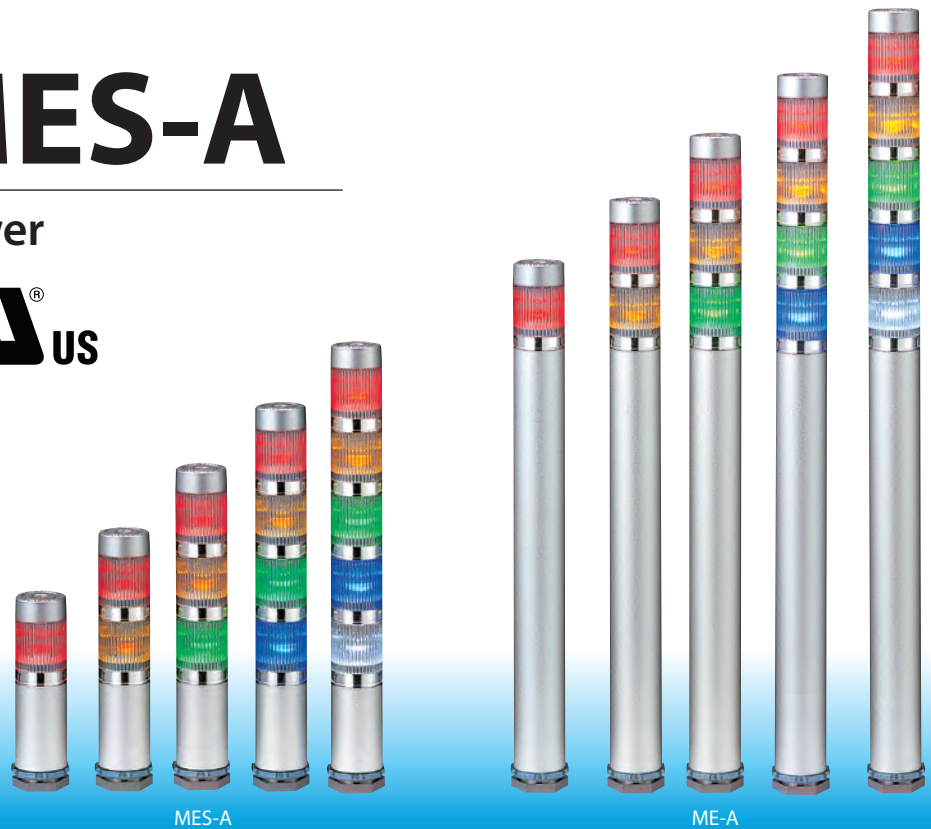


# ME-A/MES-A

Signal Tower



- LED 
- IP42
- Ø25
- NPN  
Open-collector
- Cable 



**Super-slim 25mm Signal Tower with aluminum body, ideal for small devices.**

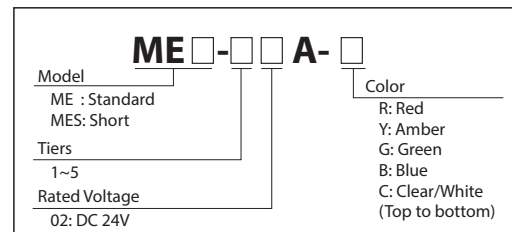
**FEATURES**

- PATLITE's exclusive hybrid prism-cut lens designed for enhanced visibility from any direction and distance.
- Lens is made of superior impact and heat resistant polycarbonate resin for superior durability and light transmission.
- Available Colors are in Red, Amber, Green, Blue, and Clear/White.
- Specially enhanced high intensity illumination design.
- Direct mount installation with just a single hole.
- Interchangeable Modules need no re-wiring, even after installation.
- Main body is constructed of corrosion resistant anodized aluminum to retain its external beauty.
- Body Length for MES-A is 40mm, and for the ME-A is 200mm.
- Conforms to the CE requirements.
- UL recognized components (File No. E215660)

**AVAILABLE BY SPECIAL ORDER**

- Cable: Versatile and flexible 3m cable.
- IP65 (for ME/MES).
- PNP Compatible: ME and MES 24V Types.

**How to Order**

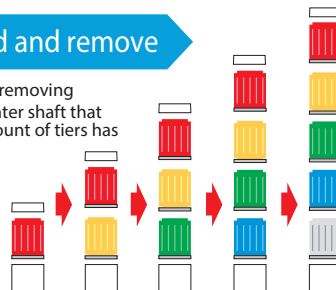


Patented reflection system increases visibility.



**Easy to add and remove**

- When adding or removing modules, the center shaft that matches the amount of tiers has to be purchased.



**Interchangeable LED Modules**

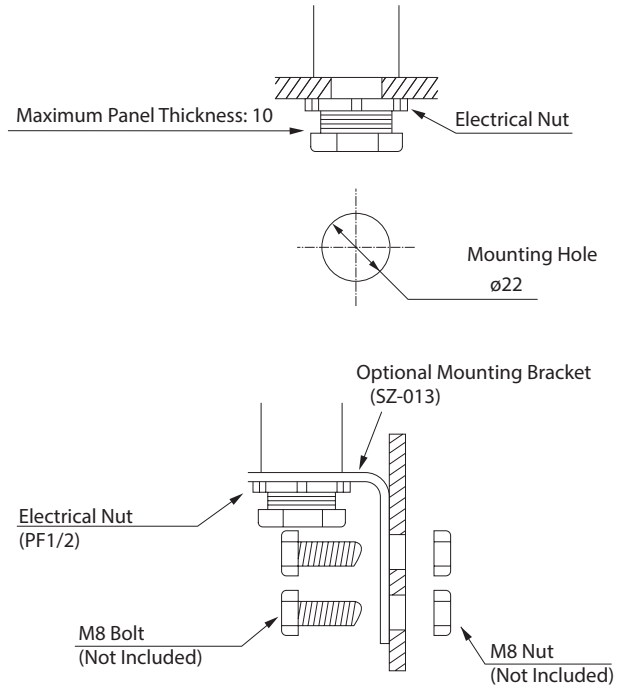
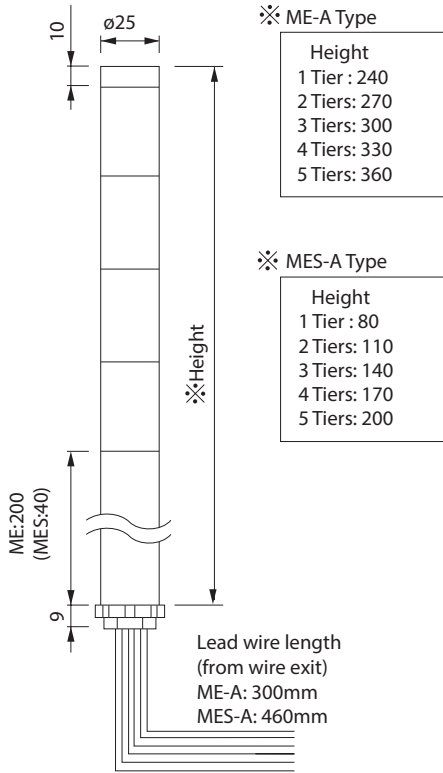
- Changeable color sequence: Easy to add/remove up to 5 colored modules even after installation.
- Note: LED modules of the same color within a signal tower will light up simultaneously.



**Wiring doesn't change**

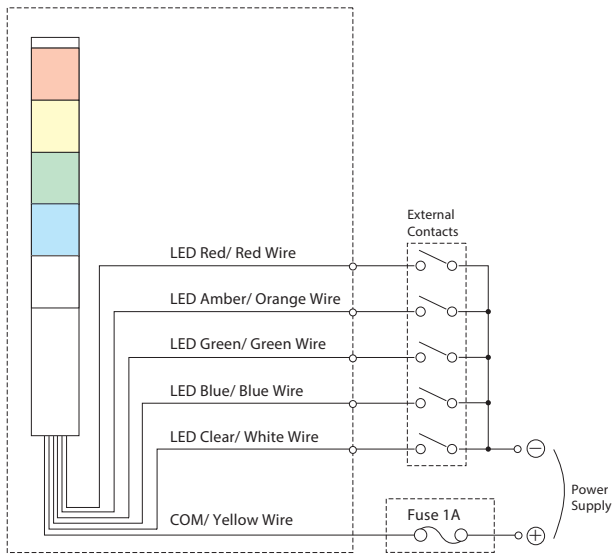
- The LED Module colors correspond to the wiring, so re-wiring is not necessary.

## Dimensions (Unit: mm)

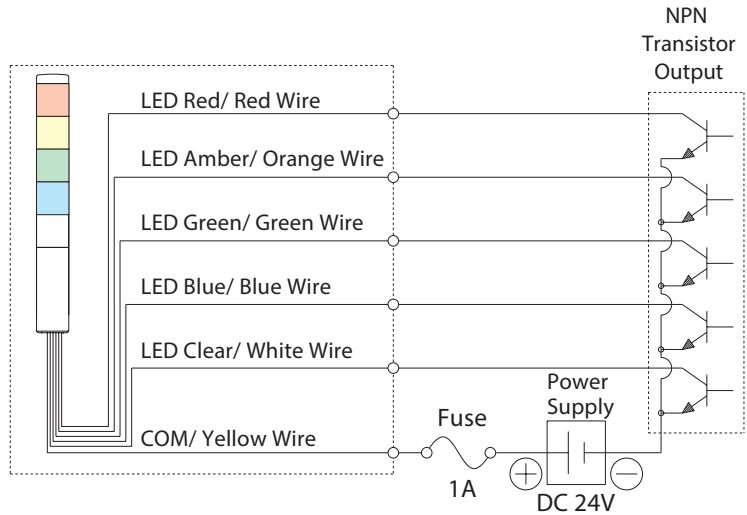


## Wiring

- ME-A/MES-A Contact/ Switch



- ME-A/MES-A NPN Open Collector



## Specifications

Stack Number	Model	Rated Voltage	Power Consumption	Mass	
				ME	MES
1 Tier	ME/MES-102A-R	DC 24V	0.6W	220g	120g
	ME/MES-102A-Y		0.6W		
	ME/MES-102A-G		0.5W		
	ME/MES-102A-B		0.5W		
	ME/MES-102A-C		0.5W		
2 Tiers	ME/MES-202A-RY		1.2W	230g	130g
	ME/MES-202A-RG		1.1W		
	ME/MES-202A-RB		1.1W		
	ME/MES-202A-RC		1.1W		
3 Tiers	ME/MES-302A-RYG		1.7W	240g	140g
	ME/MES-302A-RYB	1.7W			
	ME/MES-302A-RYC	1.7W			
4 Tiers	ME/MES-402A-RYGB	2.3W	250g	150g	
	ME/MES-402A-RYGC	2.3W			
5 Tiers	ME/MES-502A-RYGBC	2.8W	260g	160g	